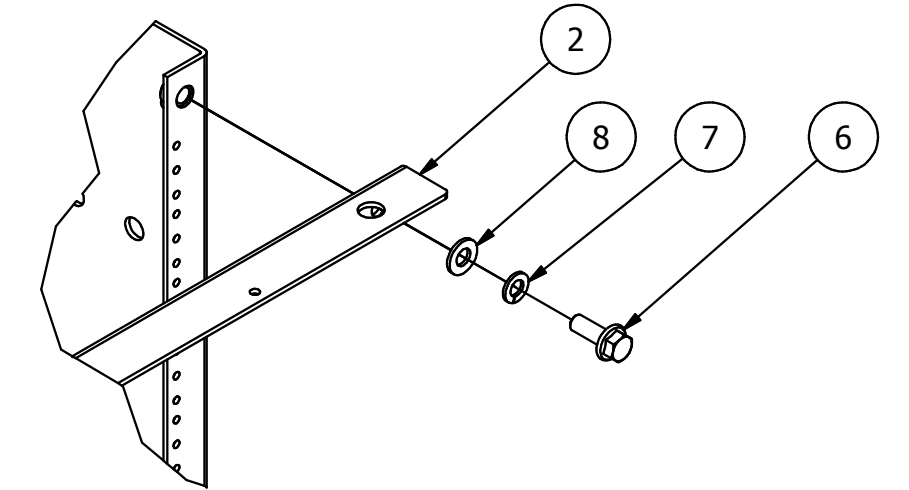


ASSEMBLE AS SHOWN

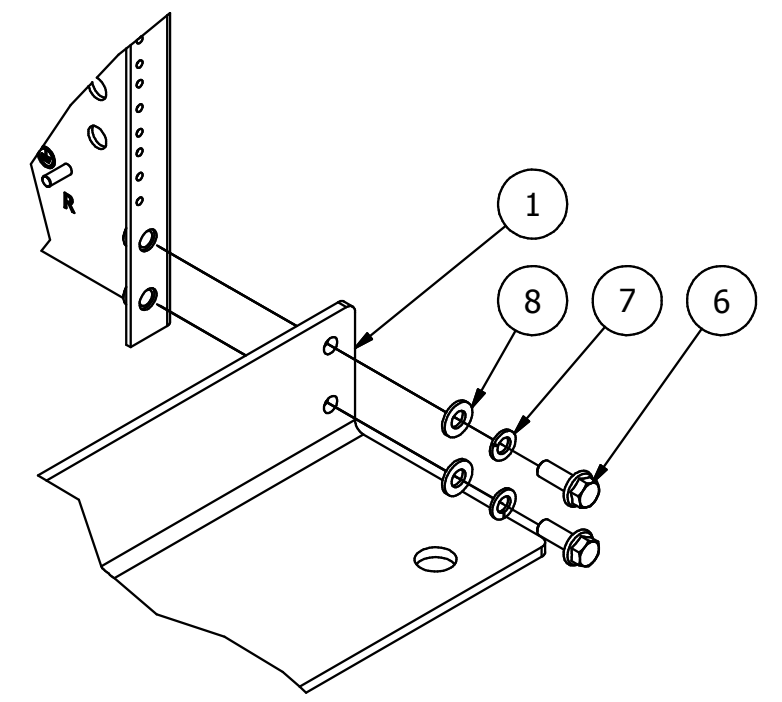
FLAT WASHER SHOULD BE NEXT TO THE TOP ANGLE AND THE MOUNTING FOOT

OVERALL DEPTH SHOULD BE 15.00"

PARTS LIST			
ITEM	QTY	PART NUMBER	DESCRIPTION
1	2	433-9009	MOUNTING FOOT 19"
2	2	433-9010	TOP ANGLE 19"
3	1	433-25687	84h x 19w RELAY MGNT RACK - LHS POST w/ 6" #10-32 TAPPED CHANNELS
4	1	433-25688	84h x 19w RELAY MGNT RACK - RHS POST w/ 6" #10-32 TAPPED CHANNELS
5	2	PK# 22448	BELDEN DOMED DECAL
6	12	PK# 92094	MS 3/8-16 X 1 WHIZ BOLT DBRCO
7	12	PK# 93026	3/8 LOCK WASHER
8	12	PK# 93015	3/8 FLAT WASHER
9	2	PK# 22513	LABEL EARTH GROUND



DETAIL A



DETAIL B

AUTOCAD DRAWING FILE USED FOR VISUAL PURPOSES ONLY
 ANY MODIFICATIONS TO PART MUST BE DONE USING
 INVENTOR SOFTWARE FOR QUALITY CONTROL PURPOSES.



THIS DRAWING AND ALL INFORMATION CONTAINED HEREIN IS THE PROPERTY OF BELDEN. ANY USE, COPY OR REPRODUCTION OF THIS MATERIAL WITHOUT WRITTEN PERMISSION OF BELDEN IS PROHIBITED.

ALL TOLERANCES ± 0.010 UNLESS OTHERWISE SPECIFIED	4h x 19w RELAY MNGT RK w/ 6" #10-32 TAPPED CHANNELS		
	REF DWG:	XDR8419-610	
	MAT'L :	DRAWING AUTHOR: RCG	
	MAT'L THK :		
	BA:		
	UNITS : INCH	Sheet 1 of 1	C
	SCALE: 1/8	DATE: 2/5/2016	XDR8419-610

ECR#	REV	DESCRIPTION	BY	DATE